

CashConcepts Europe GmbH

Kemptener Straße 99 – D-88131 Lindau / Germany

Tel.: +49 (0)8382 – 943 15 – 0 / Fax: +49 (0)8382 – 943 15 – 20

Email: info@cce.tm / Web: www.cce.tm





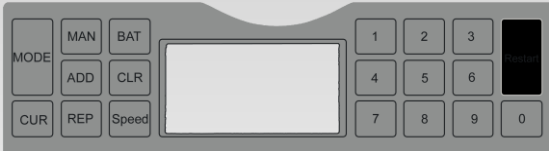
CashConcepts
CCE 340 MULTI

CashConcepts CCE 340 MULTI



The complete manual can be downloaded on www.cce.tm

Representation

Nr.	Description	Photo
1	Handle	
2	Banknote limitation / Feeder	
3	Hopper / Hopper Sensor	
4	Display / Panel	
5	Stacker / Stacker Sensor	
7	Adjustment wheel for banknote pressure	
8	Connection for printer by RJ-11 port	
9	ON / OFF – switch	
10	Connection for updates by RS 232 port	
11	Power connection	
12	Fuse	
MODE	Selection of counting mode	
MAN	Automatic or manual start	
BAT	Selection of programmed batch stops	
ADD	ON/OFF off addition function	
CLR	Clearing counting result / batch stop	
CUR	Selection of the programmed currency	
REP	Showing detailed information of counting result or print the report (long press)	
Speed	Selection of counting speed (1-3)	
0 – 9	Free selectable counting stop (Batch)	
Restart	Start and Stop the counting	

How to use the CCE 340 MULTI

Please follow the below tips for using the machine to receive an optimum counting result.

- Connect the net plug with the outlet.
- Connect now the net cable with the CCE 340 MULTI and switch on the machine.
- The machine automatically starts in the mix count modus.
- Push the banknotes on a straight surface, so that the notes are terse on one length side and insert the banknotes centered in the feeder with the terse side to the rear. Push both banknote guidance's to the pile near, so that the banknotes can be optimally drawn in.
- Should the banknotes not be centered or be inserted correctly, it can come to false counting or non-recognition of the notes.



Counting modes and currency selection

The CCE 340 MULTI can count sorted and mixed (depending on currency) banknotes. About the "MODE" key you are able to switch between both variations and the free count mode. It can be that all other currencies than Euro are deactivated in your machine. You can activate them by yourself with the information from the complete manual from our website.

- **Value counting / mixed banknotes (EU-MIX)**

In this countable mode you can count unsorted and sorted bank notes related to value and evaluate the result about the report menu. By pressure of the key "REP" you can have a clear overview how many banknotes from each denomination that was counted. The report shows you the sum of each denomination and the total sum of all banknotes.

- **Piece counting / sorted banknotes (EU-SORT)**

In this countable mode the machine stops, as soon as a note is recognized which deviates from the valence with the first note from the pile. You can search thus larger amounts of the same banknotes particularly for lower valences and grasp the total quantity of the banknotes.

- **Free-Count-Mode (FREE-COUNT)**

In the free count mode the counterfeit money recognition is generally deactivated and the CCE 340 MULTI counts every kind of paper or notes which property can be processed by the machine.

- **Free-Count-Mode with UV-detection (FREE-COUNT-UV)**

This mode works like the normal Free-Count-Mode with all papers and banknotes that fit to the technical specifications of the CCE 340 MULTI. In this mode all notes/papers will be checked also by the existence of UV security features.

Cleaning of the sensors

By the banknotes and by retreating dust it comes to depositions before the sensors of the machine. This pollution leads to increased errors and non-recognitions of real banknotes.

Please clean at regular intervals the sensors of the CCE 340 MULTI. Switch off the machine during the cleaning and remove the net cable from the device.

With a soft paintbrush and cloth you can remove the coarse dust depositions from the sensors in the hopper- and stacker are as well as from the banknote conveyor wheels. To the cleaning of the counterfeit money sensors we recommend the additional application of a non-inflammable air pressure spray around to remove also at inaccessible places dirt and particulate dust. Should you have questions to the right cleaning of the CCE 340 MULTI, our service team is available to you of course with pleasure.

Contact

If it should once have problems with your CCE 340 MULTI which you can not solve with the help of this manual, then please get in contact to us by email and describe the problem, we will get in contact to you as soon as possible with a proposal for solution for the problem.

info@cce.tm

Please retain your purchase documents for warranty claims. Do not remove, cover, damage or modify in any way the sticker with serial number on the underside of the unit, otherwise you forfeit your warranty. You will find this manual also in other languages on our website www.cce.tm under the topic "FAQ" for free downloading.